



ASD News

Last Chance October Seminar places

Next week we have two fantastic seminars to offer, join us on **October 2nd** for our [Digital Comms](#) seminar at Delta Audio with Phil Kidd and Matt Maysey.

October 4th finds us at the h Club for our [Network Audio: Make it and Break it Day](#). Details are via the individual links, or the [events page](#) of the website.

Echo January 2020



We're very excited to announce that The Echo is in production. Due to be released in January 2020, the theme for this edition centres around the future of audio and how we sustain our industry.

We'll be looking at all our resources, from new technology and equipment to people. If you have an idea for an article, or an area you'd like us to investigate, please [drop us a line](#).

We're also hoping to commission relevant articles from members. If you'd like to submit an idea, please [send us](#) an outline.

Mental Health Survey



We have joined forces with some of our industry partners, The ALD, PLASA, and PSA to commission a survey of the entire industry. If you would like to contribute, please follow [this link](#), or scan the QR code above. Entries close on October 7th.

Enter the Back Up Pumpkin Challenge



Entries are being accepted from now, until October 31st, via Instagram.
[#backuppumpkinchallenge](#)
Check out the events page of the [website](#) for more details.

From Our Friends

Welcome to Our Newest Members!



L'ACOUSTICS

AVID, Riedel and L'Acoustics all joined us in September!
Check out the [AVID website](#) for more information on what they're up to, including their [highlights](#) from IBC.

We met the lovely folks from Riedel at PLASA, their website is [here](#).
Don't forget you can find out more about how their products work as part of the Delta Digital Comms Seminar next [week](#).

Hardware, software and sounds

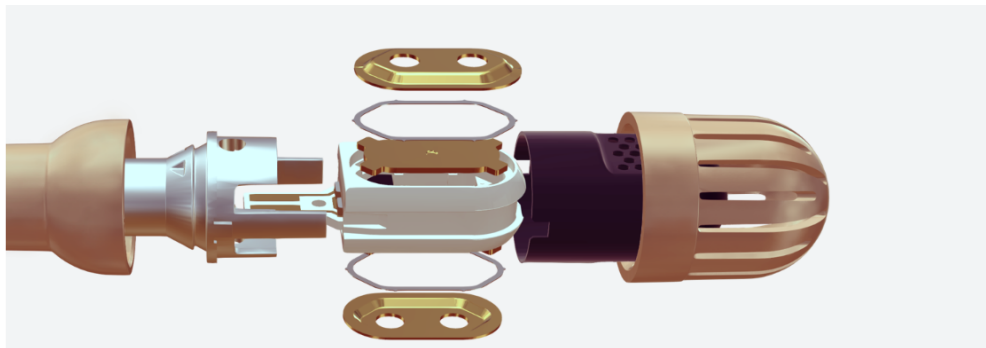
The news from the trade shows has been great this month, below are some of the highlights from PLASA and IBC

IBC Best in Show: Clear Com



Judged by PSNEurope to be the best in show, Clear Com's [Free Speak Edge](#) operates in the 5GHz bandwidth and promises super low latency and excellent performance in even the most challenging venues.

Shure Twin:Plex



"Two heads are better than one when you're getting sweaty." PLASA judges praised the selection of innovative features of the Twin:Plex microphones. Visit the [Shure site](#) for more details.

Nexo 12 Point Speaker



website.

Sound Devices: Scorpio



Another IBC winner, the Scorpio is a 32 channel, 36 track mixer-recorder and the most powerful product ever designed by Sound Devices. This tiny device contains 16 mic/line preamplifiers, 32 channels of Dante in and out, AES in and out, 12 analog outputs and multiple headphone outputs.

Find all the winners of PLASA [here](#) and IBC [here](#).

Interesting reading

[This article](#) from Phil Ward at **PSNEurope** details the training options available to young people entering the industry.

PSA's Andy Lenthall talks about industry safety [here](#).

Krotos have released the next two episodes from their, Sound Design From The Sofa series. Find all four episodes [here](#).

Will you upgrade when **OS Catalina** comes out? Find out why many manufacturers are saying wait a while via the [Pro-Tools Expert Blog](#).

We all know that **NASA** is brilliant, but did you know they had a Sound Cloud page? Check out all the great noises you can listen to [here](#).

ASD Benefits

5% Discount on your tailor-made travel dreams



Whether you're planning a trip to Japan, the World Cup hosts, or looking for a place

their team of experts can craft tailored packages for every customer*.
To take advantage of this and other fantastic deals visit the [ASD Benefits Special Offers](#) page.

*Terms and conditions apply. See website for details. Offers subject to change without notice. ASD Benefits is managed and run on behalf of ASD by Parliament Hill Ltd.



Copyright © 2019 Association of Sound Designers, All rights reserved.

Our full terms and conditions can be found [here](#).

[unsubscribe from this list](#) [update subscription preferences](#)

